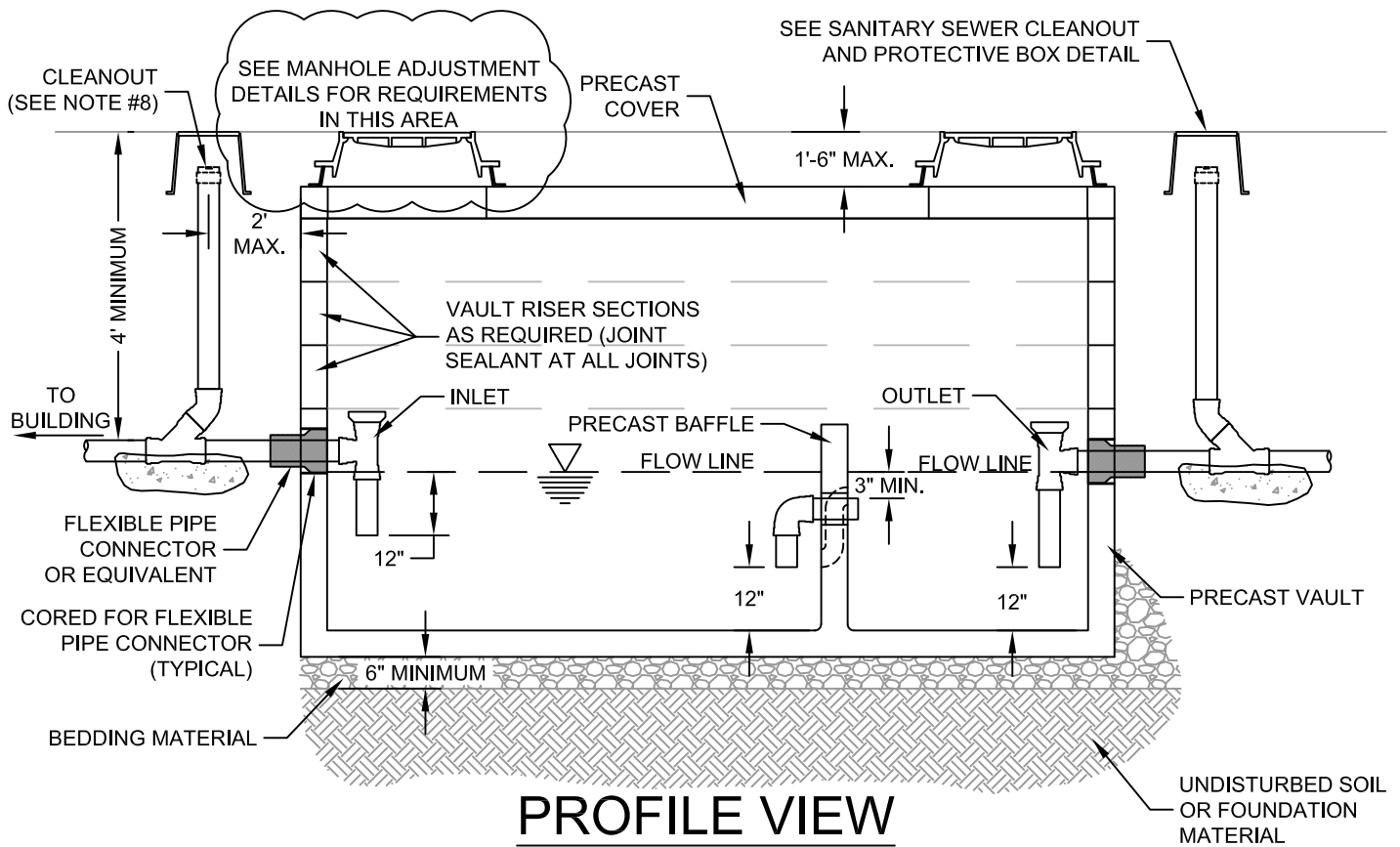


PLAN VIEW



PROFILE VIEW

NOTES:

1. THE INTERCEPTOR CAPACITY IS DEFINED AS THE STORAGE VOLUME OF THE VAULT BELOW THE OUTLET PIPE ELEVATION.
2. THE INTERCEPTOR SHALL HAVE A MINIMUM CAPACITY OF 500 GALLONS.
3. THE INLET PIPE SHALL BE ONE INCH HIGHER THAN THE OUTLET PIPE.
4. ALL INTERIOR PIPING SHALL BE SOLVENT WELD PVC.
5. VENTING OF THE INTERCEPTOR SHALL NOT BE ALLOWED.
6. SANITARY WASTES SHALL NOT BE PLUMBED TO THE INTERCEPTOR.
7. THE DIMENSIONS AND CONFIGURATION OF THE VAULT AND BAFFLE SHALL BE ACCORDING TO THE MANUFACTURER'S REQUIREMENTS FOR THE SIZE OF INTERCEPTOR INSTALLED.
8. THE CLEANOUT UPSTREAM OF THE INTERCEPTOR MAY BE DELETED IF THE CLEANOUT AT THE BUILDING IS WITHIN 15 FT OF THE INTERCEPTOR AND THE LINE BETWEEN THE INTERCEPTOR AND THE CLEANOUT IS A STRAIGHT SEGMENT.



**Snyder Basin Water
Reclamation District**

SAND AND OIL INTERCEPTOR

STANDARD DETAIL

PT-04

Revision Date: 4/20/20