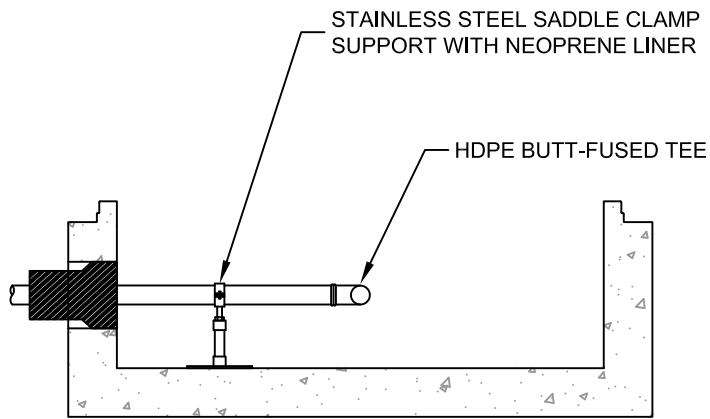
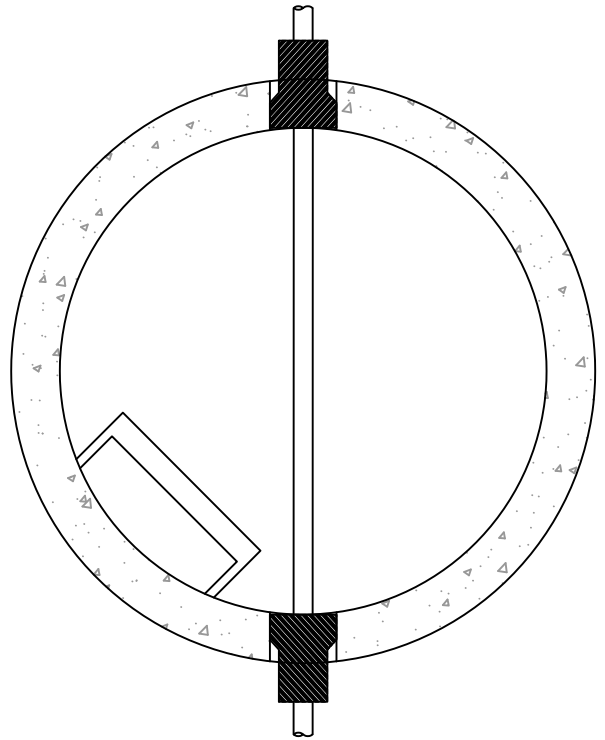
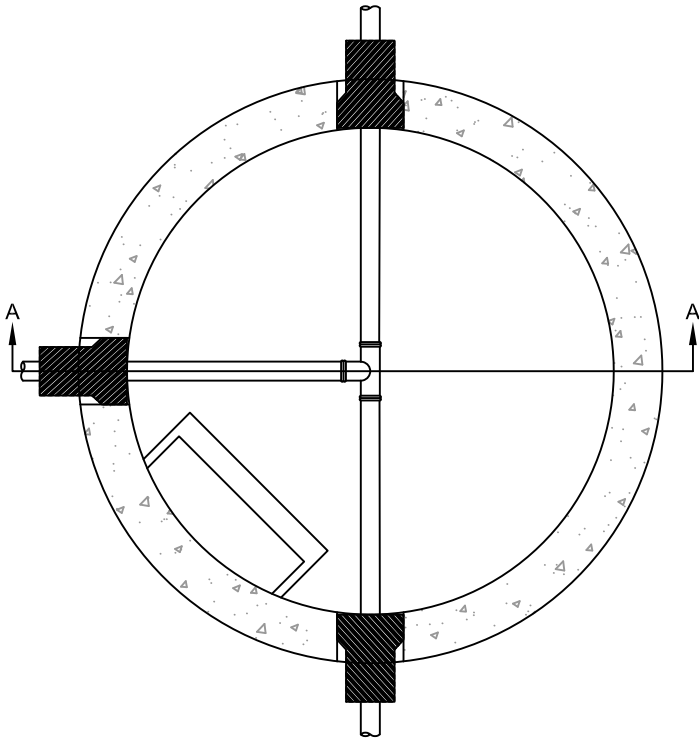


3-WAY JUNCTION MANHOLE

2-WAY JUNCTION MANHOLE



SECTION AA

STAINLESS STEEL SADDLE CLAMP  
SUPPORT WITH NEOPRENE LINER

HDPE BUTT-FUSED TEE



Snyder Basin Water  
Reclamation District

LOW-PRESSURE  
JUNCTION MANHOLE

STANDARD DETAIL

LP-01B

Revision Date: 4/20/20